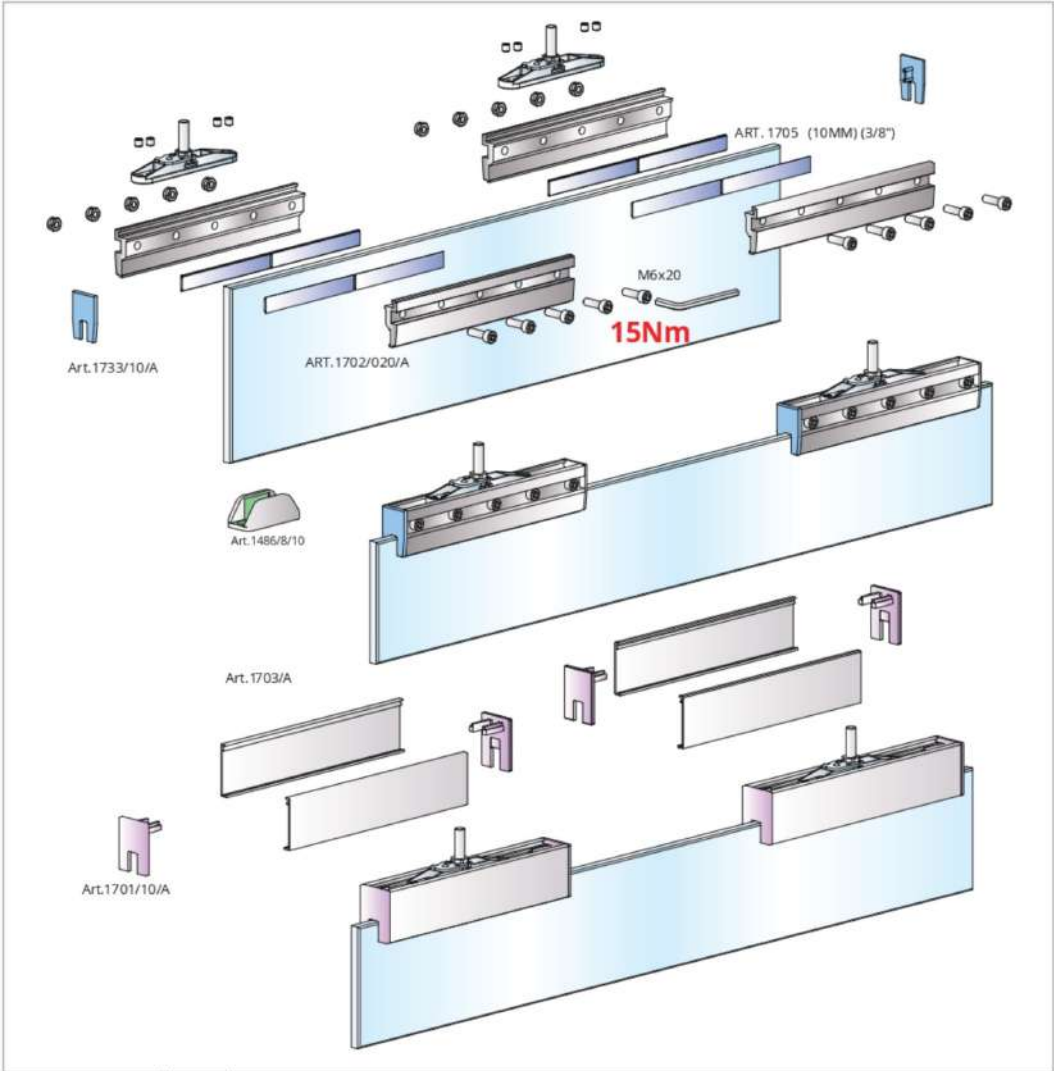
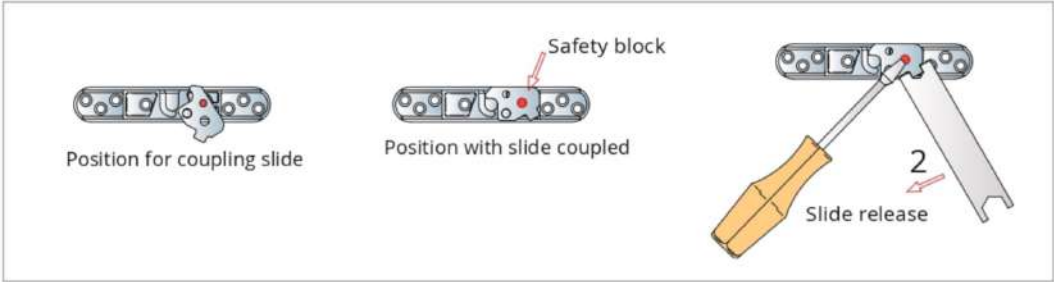


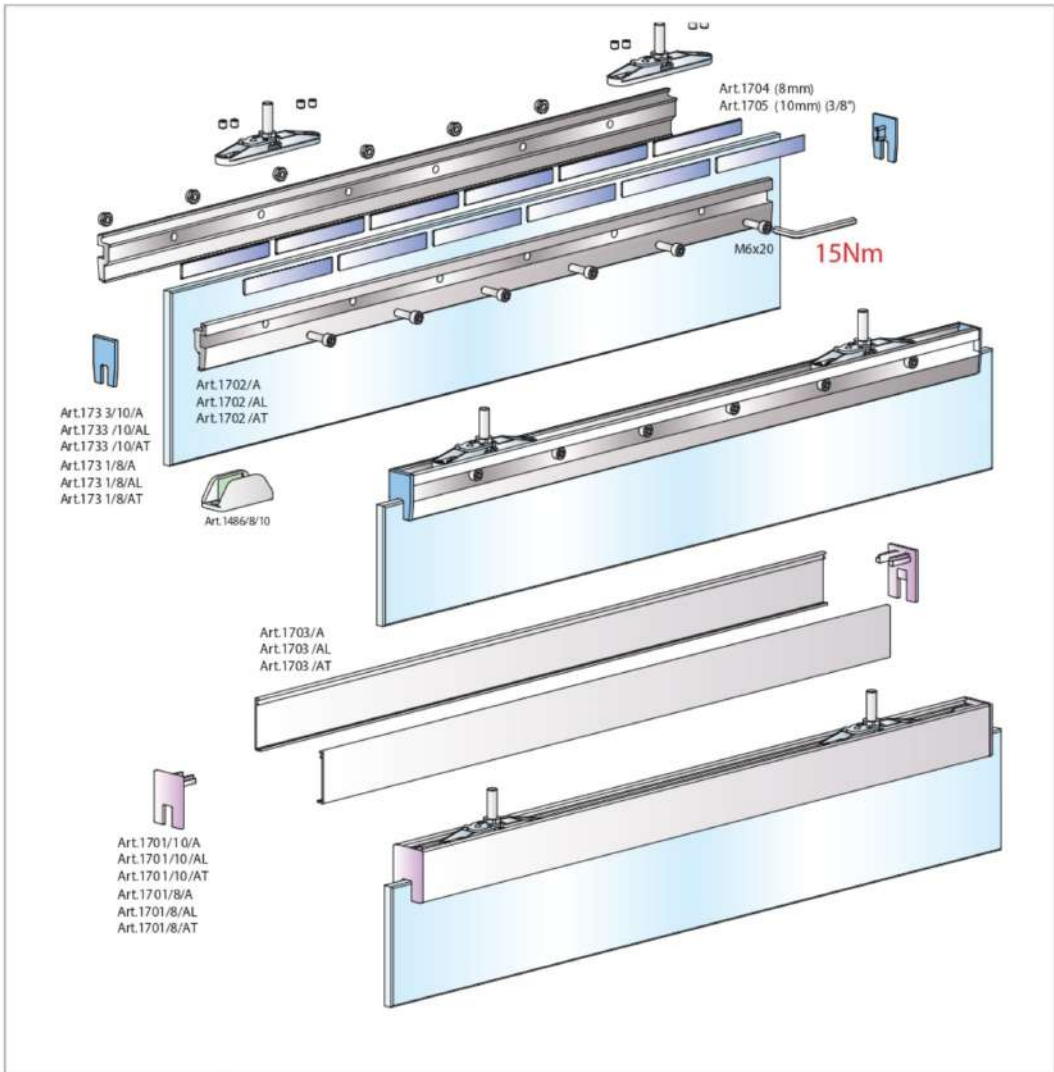
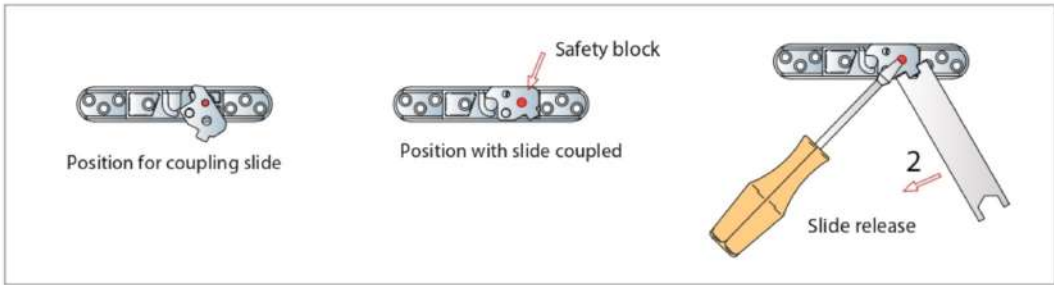


Sliding Systems & Accessories




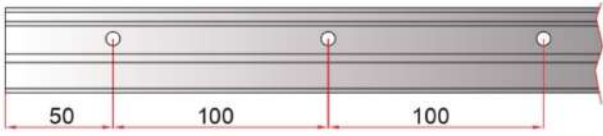




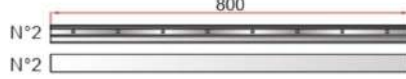

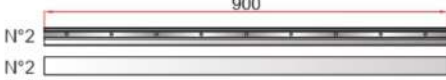
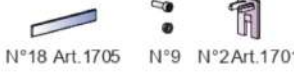
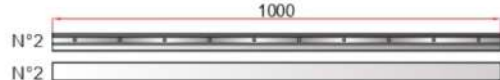

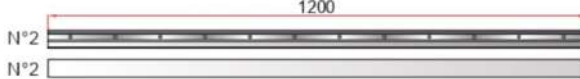

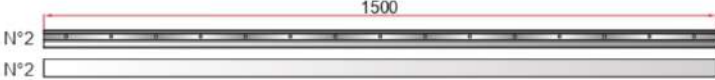

Accessories for glass doors without piercing and high grip 40mm

www.modernlux.ca



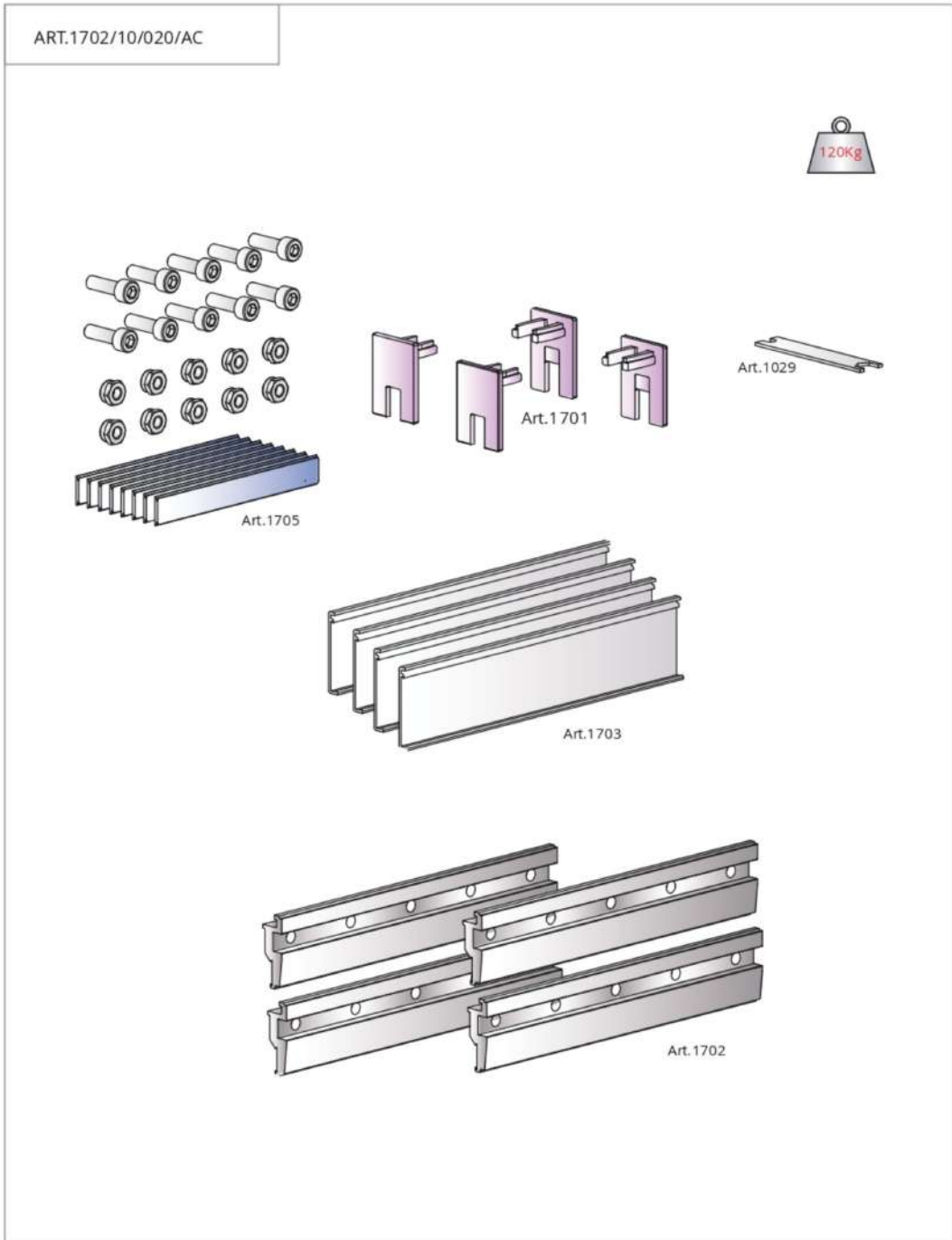


Description glass pliers kit 10 mm (3/8") including plugs and covers


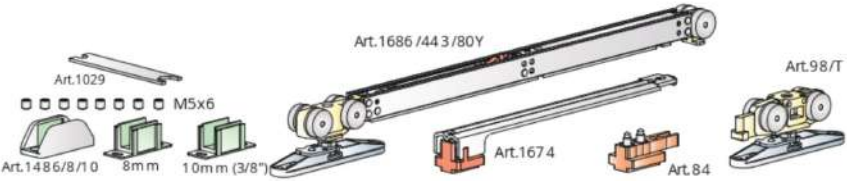

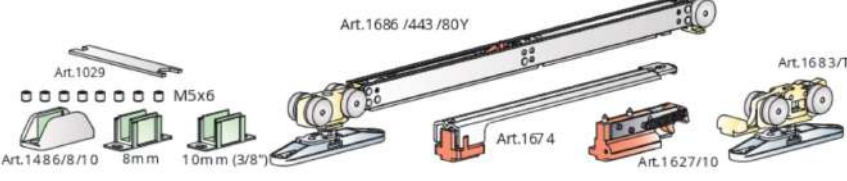





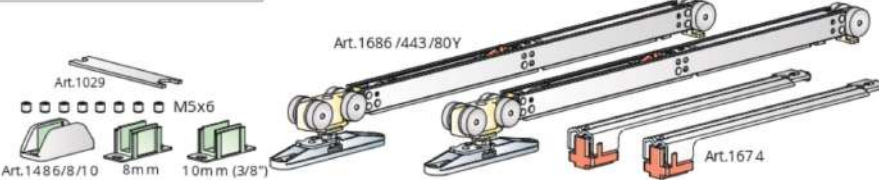
BLISTER KIT FOR COMBINATION WITH A SLIDING DOOR KIT		KIT BLISTER		L	
					
		Art. 1703	Art. 1702	120Kg	
Art.1702/10/060/AC		L=Min.600 Max.699			
					
Art.1702/10/070/AC		L=Min.700 Max.799			
					
Art.1702/10/080/AC		L=Min.800 Max.899			
					
Art.1702/10/090/AC		L=Min.900 Max.999			
					
Art.1702/10/100/AC		L=Min.1000 Max.1099			
					
Art.1702/10/120/AC		L=Min.1200 Max.1299			
					
Art.1702/10/150/AC		L=Min.1500 Max.1600			
					

www.modernlux.ca

Accessories suitable for the kits


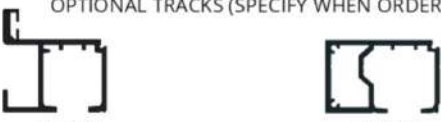


Kit for doors Max. 120 kg.

	<p>ART.1686/98/V40</p> 
	<p>ART.1686/1683/V40</p> 
	<p>ART.1688/V40</p> 
	<p>ART.1687/V40</p> 
	<p>ART.1686/1686/V40</p> 

Size description

<p>LOWER GUIDE</p>  <p>Art.1486/8/10</p>	<p>ALUMINIUM TRAKS</p>  <p>Art.1703 Art.1690</p>	<p>FIXING ART.1702</p> 
--	---	--

<p>STANDARD TRACK</p>  <p>Art.1280</p>	<p>OPTIONAL TRACKS (SPECIFY WHEN ORDERING)</p>  <p>Art.1259 Art.1359 Art.1702</p>	
--	--	--

