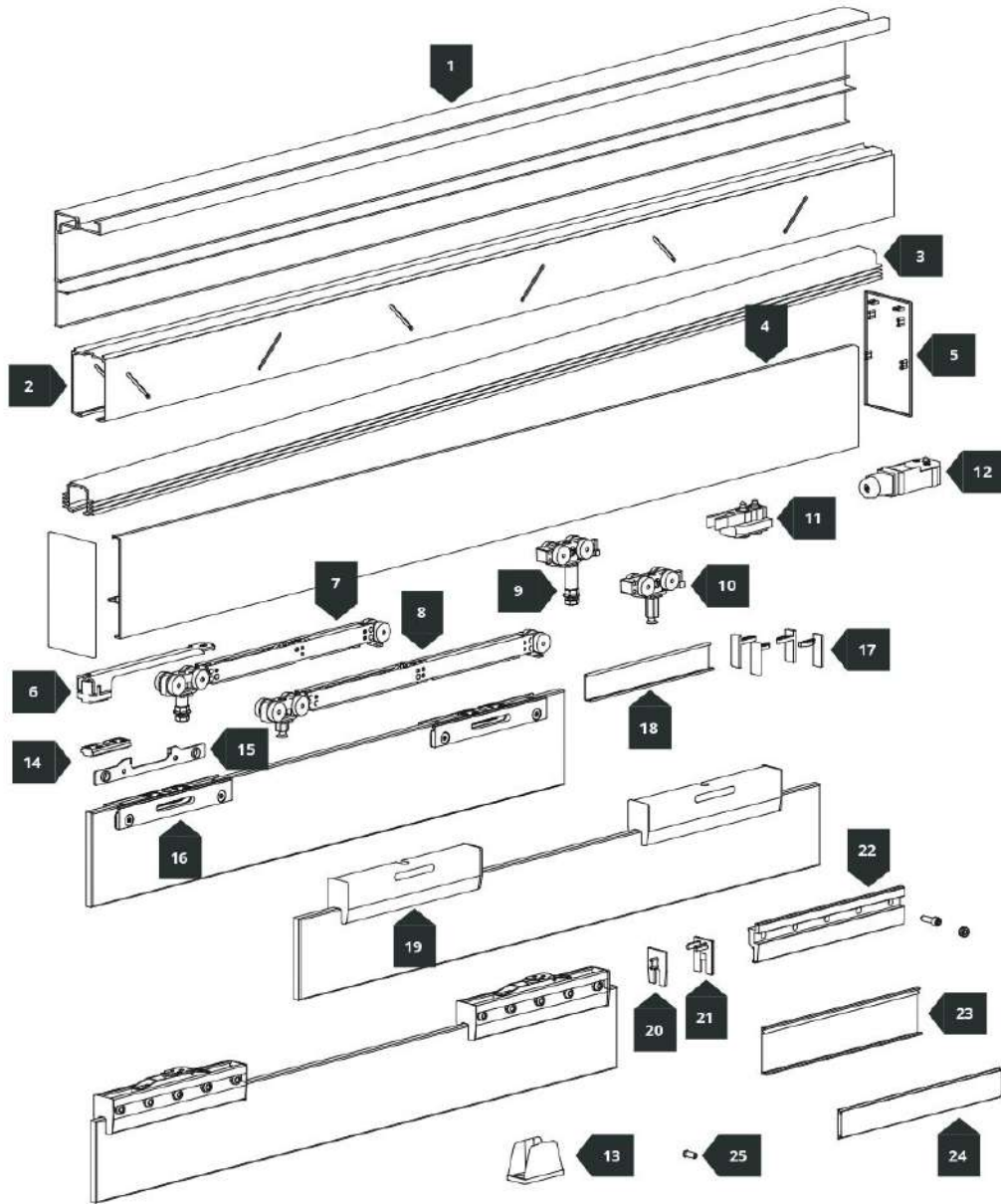




Selfie

Systems for doors with automatic closure



8/8.7 mm + 12/12.7 mm










Max 80 kg











Min. 650 - Max. 1200 mm








Systems for doors with automatic closure








Selfie

#	Barcode		KG	
1	2430		80	
2	2410		80	
3	2400		80	
4	2420		80	
5	2412		80	
	2414		80	
6	1674		80	

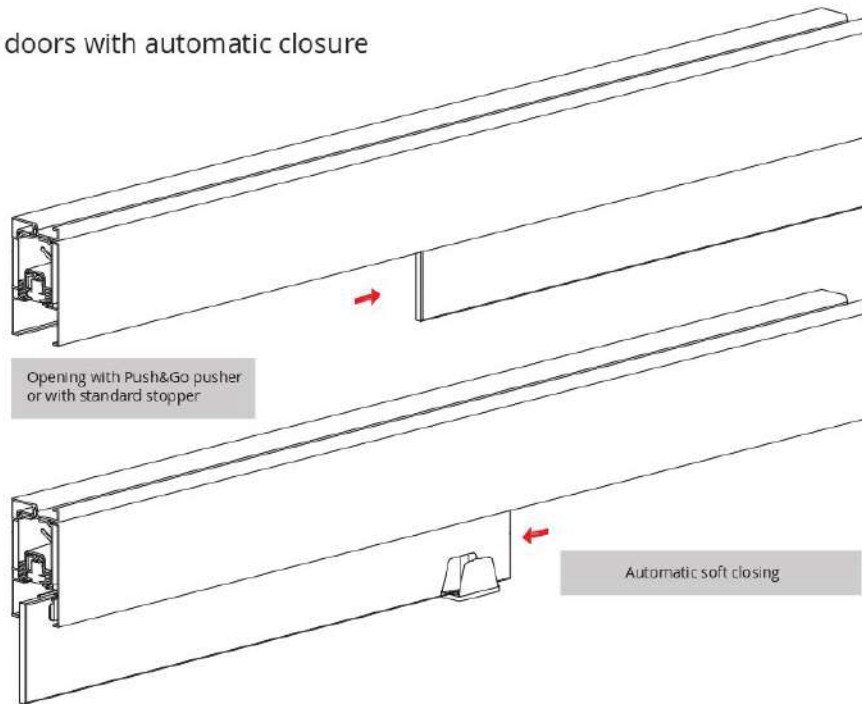
#	Barcode		KG	
7	2404/V24		80	
	2404/P		80	
8	2404/V40		80	
9	2402/V24		80	
	2402/P		80	
10	2402/V40		80	
11	84		80	
12	101/120/G		80	

Systems for doors with automatic closure

#	Barcode		KG	
13	2405		80	For glass 8-8.7 mm (5/16")
	2407		80	For glass 10-10.7 mm (3/8")
	2409		80	For glass 12-12.7 mm (1/2")
14	1714		80	
15	1723/8		80	For glass 8-8.7 mm (5/16")
	1723/10		80	For glass 10-10.7 mm (3/8")
16	1724/V/A		80	
	1724/V/B		80	
17	1722/8/A		80	For glass 8-8.7 mm (5/16")
	1722/8/AL		80	
	1722/8/AT		80	
	1722/10/A		80	For glass 10-10.7 mm (3/8")
	1722/10/AL		80	
	1722/10/AT		80	
18	1725/170/A		80	
	1725/170/AL		80	
	1725/170/AT		80	




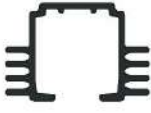
#	Barcode		KG	
19	1780/08		80	For glass 8-8.7 mm (5/16")
	1780/10		80	For glass 10-10.7 mm (3/8")
	1780/12		80	For glass 12-12.7 mm (1/2")
20	1731		80	For glass 8-8.7 mm (5/16")
	1733		80	For glass 10-10.7 mm (3/8")
	1737		80	For glass 12-12.7 mm (1/2")
21	1701/8		80	For glass 8-8.7 mm (5/16")
	1701/10		80	For glass 10-10.7 mm (3/8")
	1701/12		80	For glass 12-12.7 mm (1/2")
22	1712		80	
23	1703		80	
24	1707		80	For glass 8-8.7 mm (5/16")
	1704		80	For glass 10-10.7 mm (3/8")
	1705		80	For glass 12-12.7 mm (1/2")
25	1721		80	

Systems for doors with automatic closure

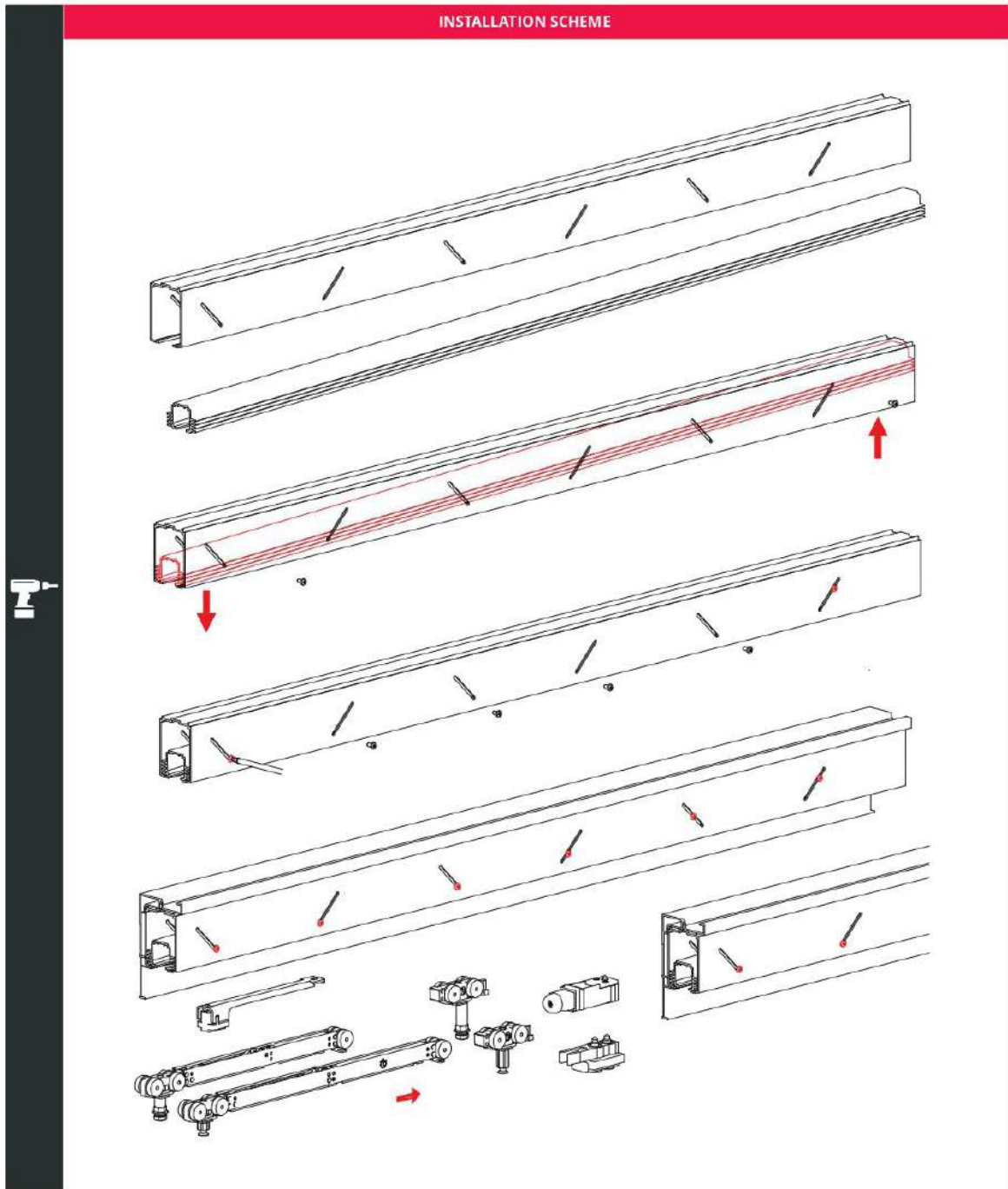


WALL AND CEILING VERSIONS

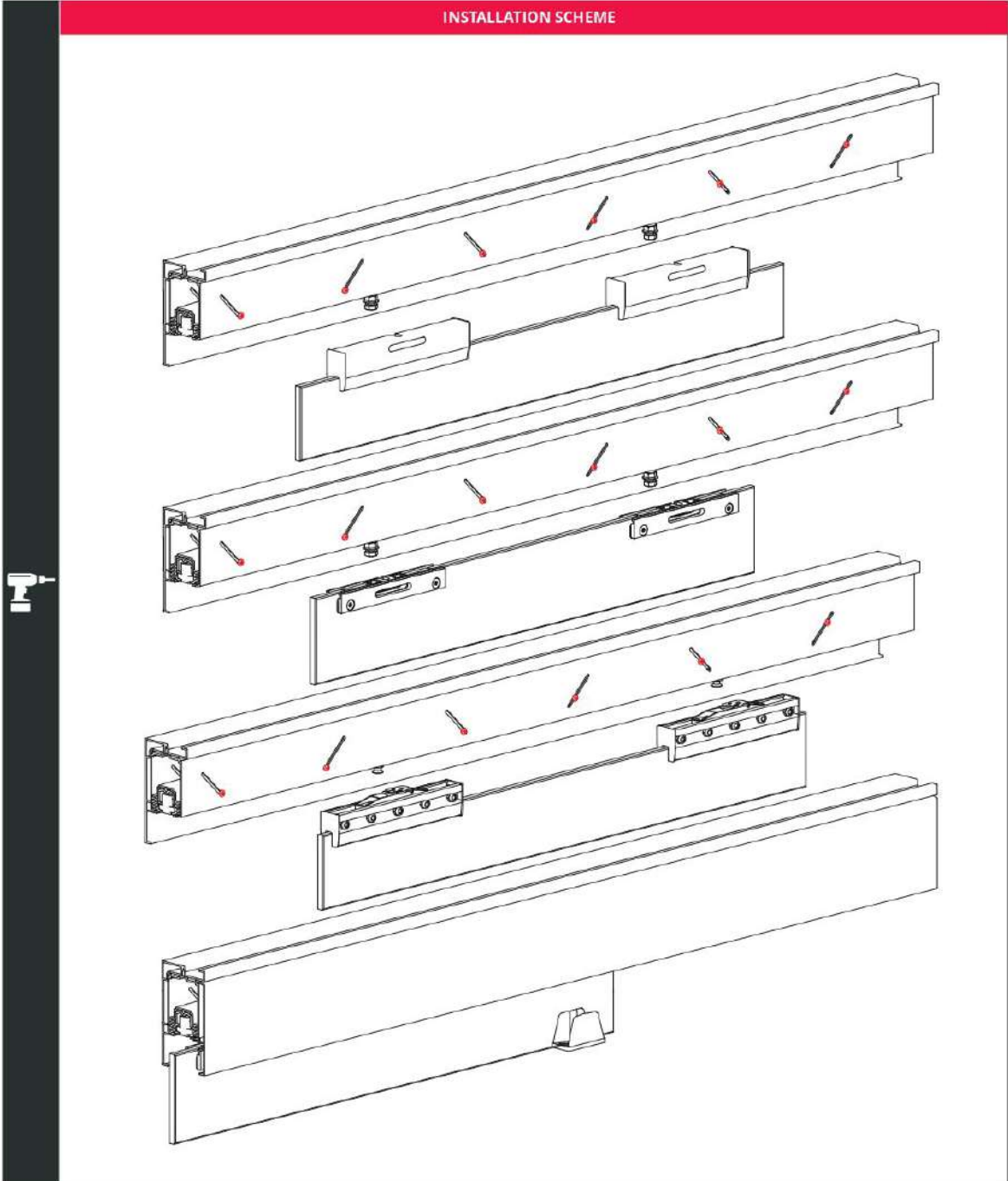
ALUMINIUM TRACKS

			
ART. 2430	ART. 2410	ART. 2420	ART. 2400

Systems for doors with automatic closure



Systems for doors with automatic closure





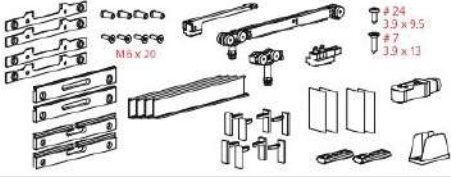
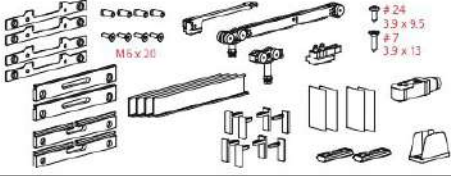
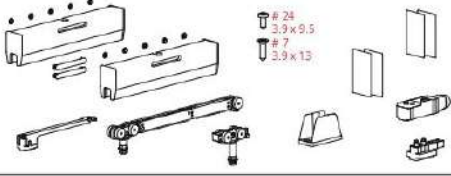
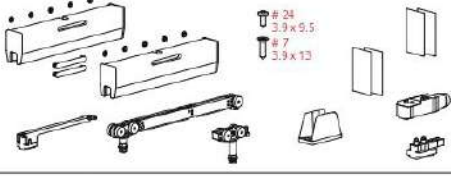
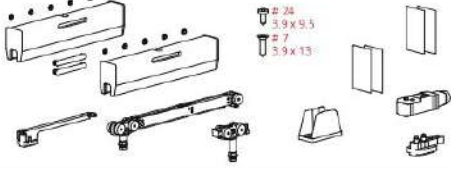
Systems for doors with automatic closure

-  Max 80 Kg

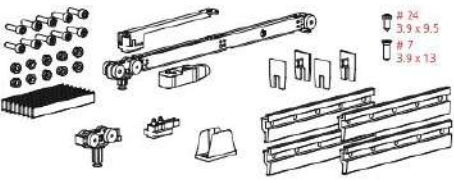
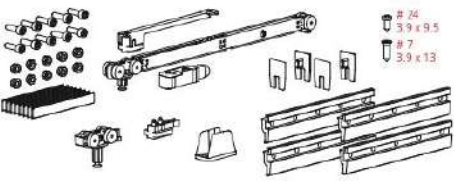
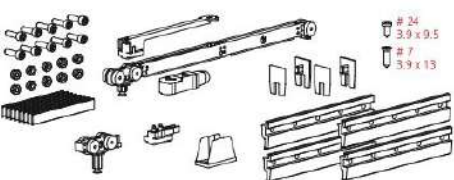
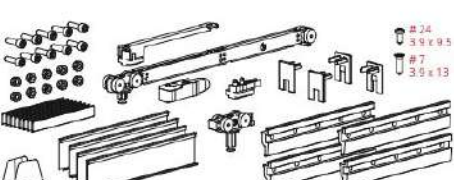
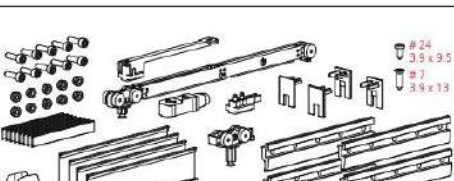
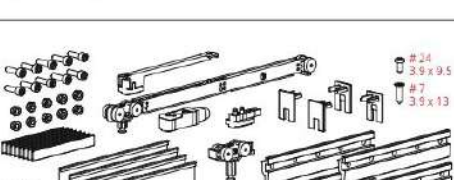
-  N.1 Soft air closing

-  N.1 Classic Stopper

-  Door width - 650 + 1200 mm

CODE		→ ←	KIT
2402/2404/V24/8	8/8.7 mm (5/16")		
2402/2404/V24/10	10/10.7 mm (3/8")		
2402/2404/V24/8/AC	8/8.7 mm (5/16")		
2402/2404/V24/10/AC	10/10.7 mm (3/8")		
2402/2404/P/8	8/8.7 mm (5/16")		
2402/2404/P/10	10/10.7 mm (3/8")		
2402/2404/P/12	12/12.7 mm (1/2")		

Systems for doors with automatic closure

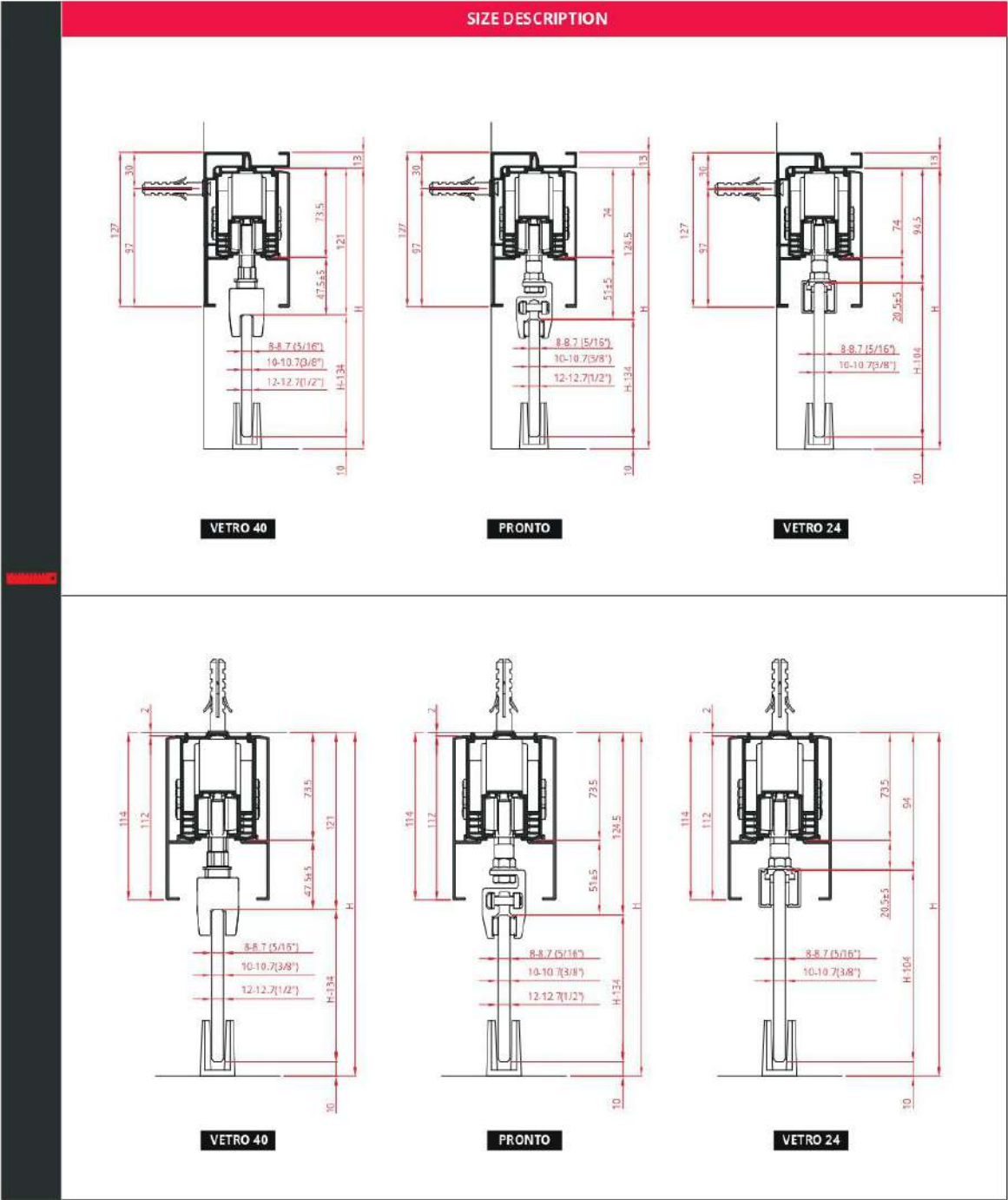
CODE	→ ←	KIT
2402/2404/V40/8	8/8.7 mm (5/16")	 <p># 24 3.9 x 9.5 # 7 3.9 x 13</p>
2402/2404/V40/10	10/10.7 mm (3/8")	 <p># 24 3.9 x 9.5 # 7 3.9 x 13</p>
2402/2404/V40/12	12/12.7 mm (1/2")	 <p># 24 3.9 x 9.5 # 7 3.9 x 13</p>
2402/2404/V40/8/AC	8/8.7 mm (5/16")	 <p># 24 3.9 x 9.5 # 7 3.9 x 13</p>
2402/2404/V40/10/AC	10/10.7 mm (3/8")	 <p># 24 3.9 x 9.5 # 7 3.9 x 13</p>
2402/2404/V40/12/AC	12/12.7 mm (1/2")	 <p># 24 3.9 x 9.5 # 7 3.9 x 13</p>

-  Max 80 Kg

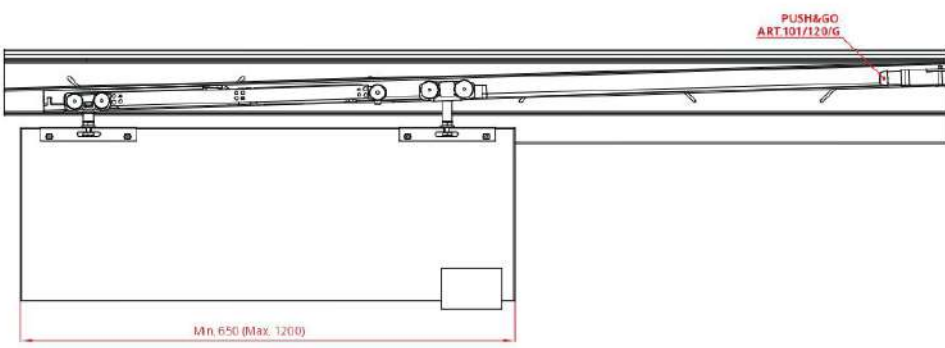
-  N.1 Soft air closing

-  N.1 Classic Stopper

-  Door width - 650 - 1200 mm



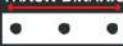

USAGE SCHEME

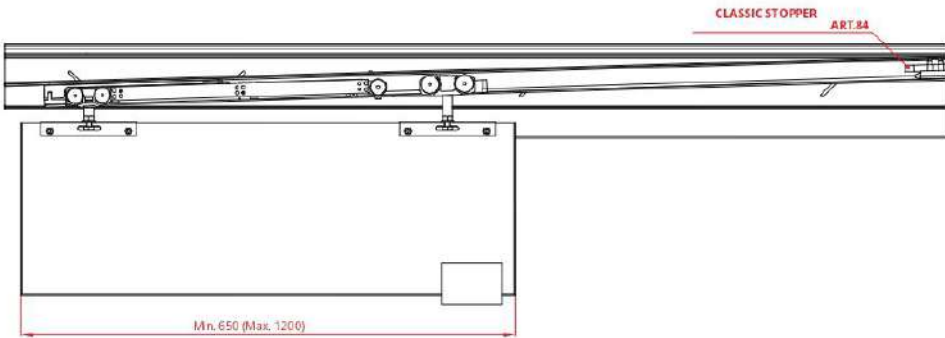


PUSH&GO
ART.101/120/G

Mn. 650 (Max. 1200)

THE SYSTEM WITH AUTOMATIC CLOSURE CAN BE USED WITH THE PUSH&GO PUSHER SYSTEM



TRACK-BINARIO 	 MIN - MAX
L = 1600 mm	650-800 mm
L = 2000 mm	801-1000 mm
L = 2400 mm	1001-1200 mm



CLASSIC STOPPER
ART.84

Mn. 650 (Max. 1200)

THE SYSTEM WITH AUTOMATIC CLOSURE CAN BE USED WITH THE STANDARD CLIP FOR DOOR LOCKING

TRACK-BINARIO 	 MIN - MAX
L = 1600 mm	650-800 mm
L = 2000 mm	801-1000 mm
L = 2400 mm	1001-1200 mm