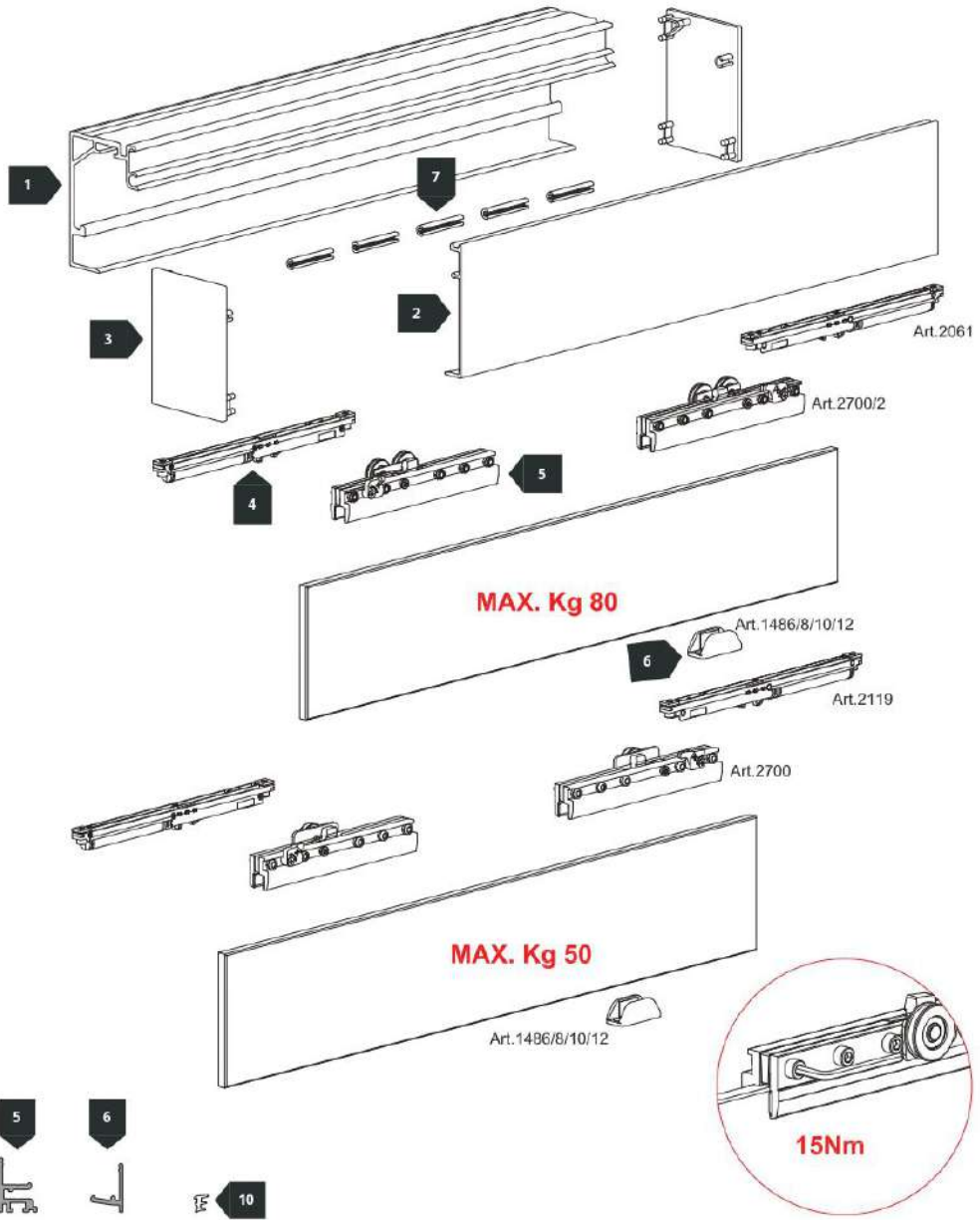








6400 Solo Vetro





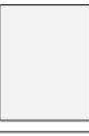





Concealed sliding elements built into the aluminium sliding profiles

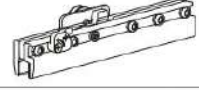
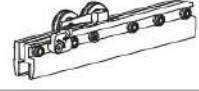










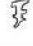

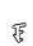













































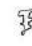
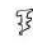



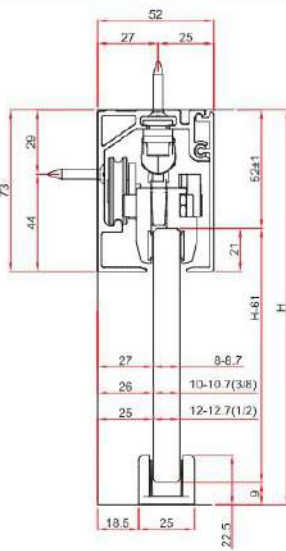

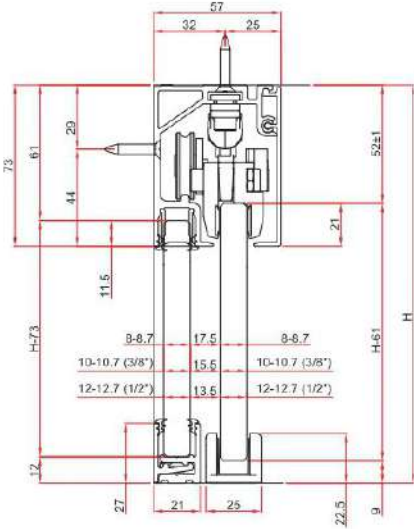
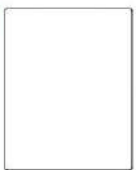





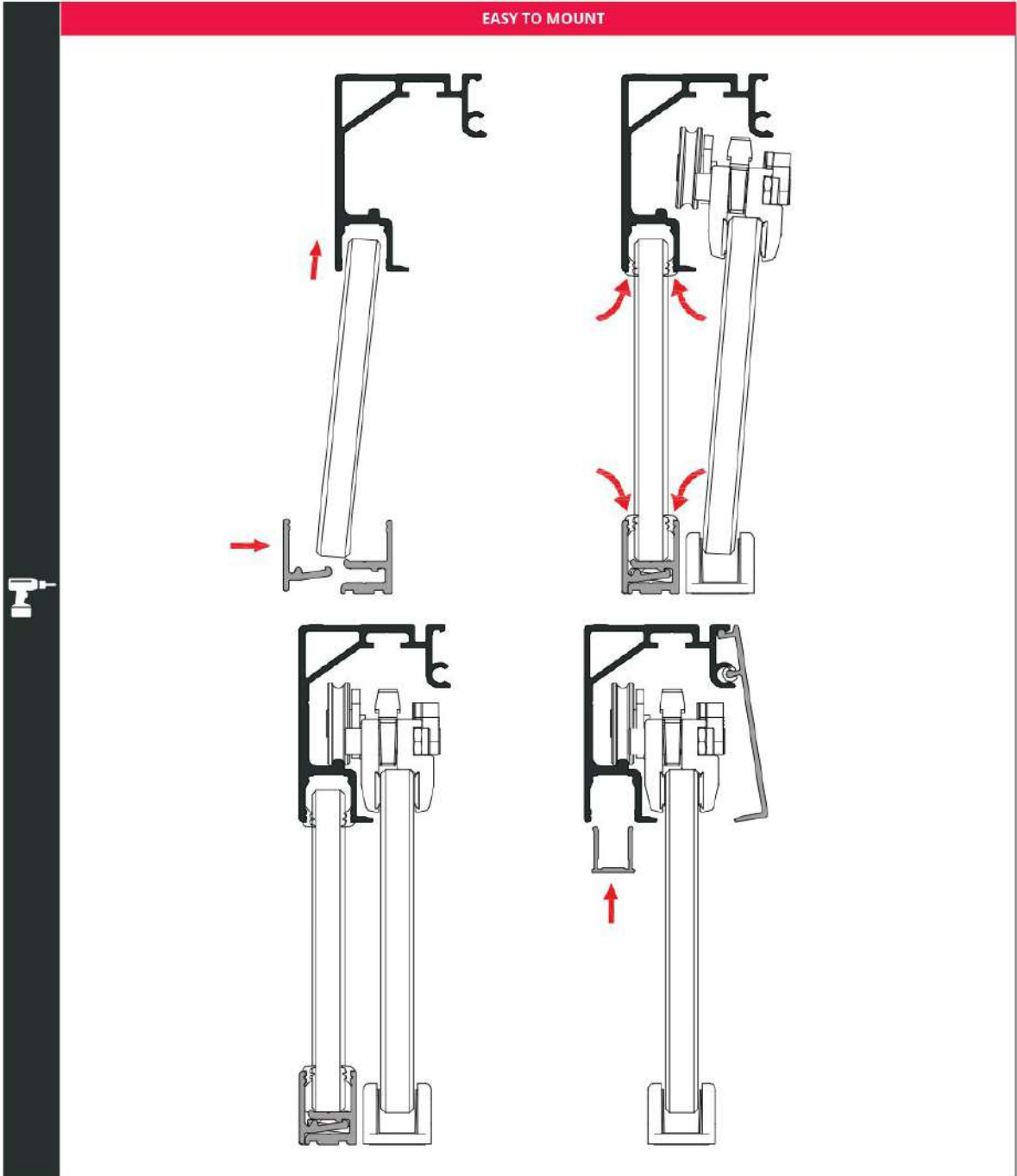
8 mm + 12.7 mm Kit for # 1 door.

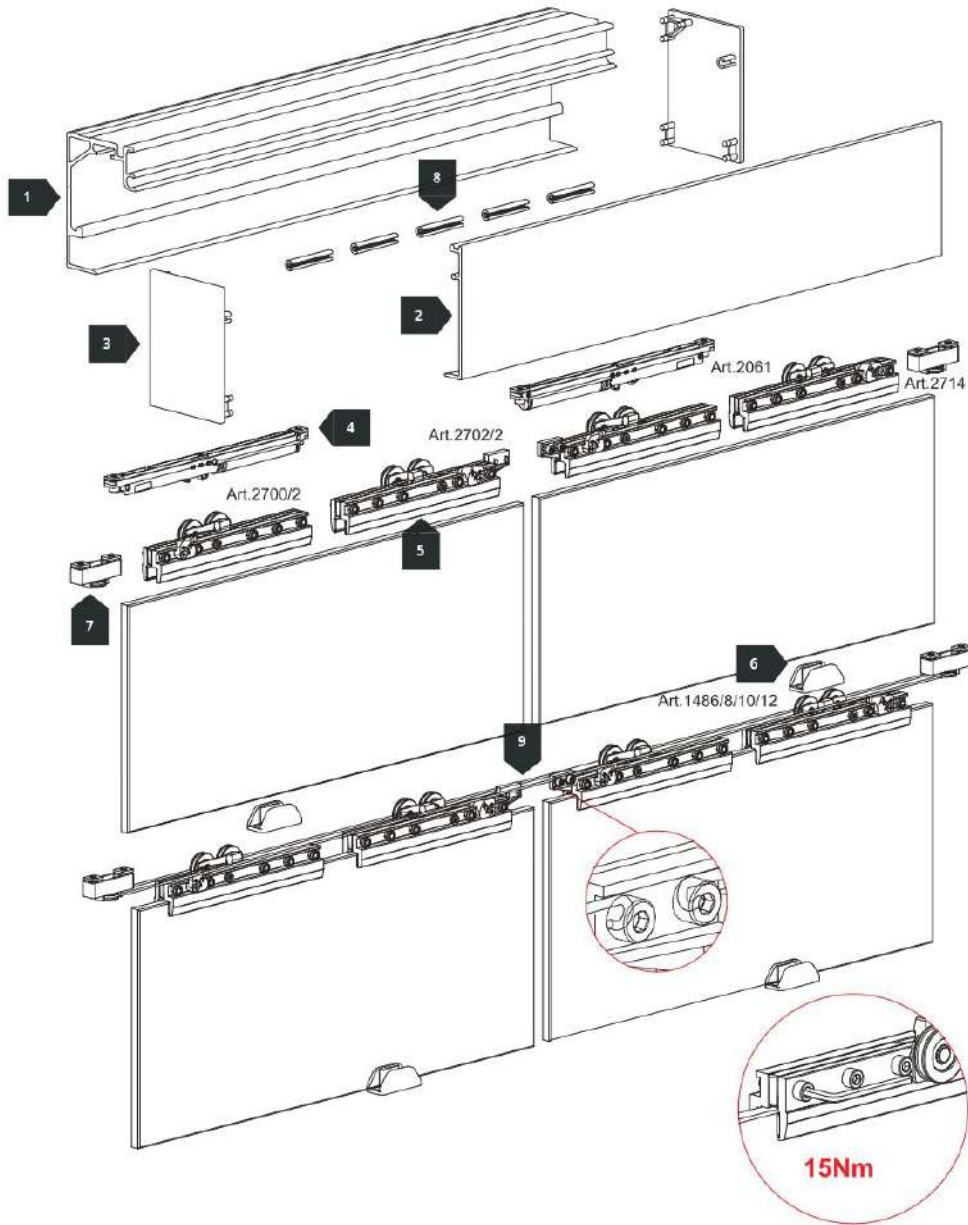
6400 Solo Vetro

#	Barcode		KG	
1	2710		50/80	
	2720		50/80	
2	2730		50/80	
3	2716		50/80	
	2718		50/80	
4	2119		50	
5	2061		80	
6	1222		50/80	
7	1707		50/80	
	1705		50/80	

#	Barcode		KG	
7	2700		50	
	2700/2		80	
9	1486/8		50/80	For glass 8-8.7 mm (5/16")
	1486/10		50/80	For glass 10-10.7 mm (3/8")
	1486/12		50/80	For glass 12-12.7 mm (1/2")
	1488		50/80	For glass 8-8.7 mm (5/16")
	1489/8		50/80	For glass 8-8.7 mm (5/16")
	1489/10		50/80	For glass 10-10.7 mm (3/8")
10	2740		50/80	For glass 8 mm 10mm 12mm
			50/80	For glass 8 mm 10mm 12mm
11	1776		50/80	For glass 8 mm 10mm 12mm
12	1774		50/80	For glass 8 mm 10mm 12mm
13	328		50/80	For glass 8-8.7 mm (5/16")
	326		50/80	For glass 10-10.7 mm (3/8")
	324		50/80	For glass 12-12.7 mm (1/2")

2700/2119/A - 50 Kg.				KIT			
							
							
2700/2/2061/A - 80 Kg.				KIT			
							
							
TRACKS							
							
ART. 2710	ART. 2720	ART. 2730	ART. 2730	ART. 2730	ART. 2730	ART. 2730	ART. 2730
ACCESSORIES							
							
ART. 1774	ART. 1776	ART. 2740	ART. 328 (8/8,7 mm - 5/16")	ART. 326 (10/10,7 mm - 3/8")	ART. 324 (12/12,7 mm - 1/2")	ART. 324 (12/12,7 mm - 1/2")	ART. 324 (12/12,7 mm - 1/2")
SIZE DESCRIPTION							
							
Art. 2716		Art. 2718					





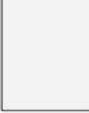























8 mm + 12.7 mm



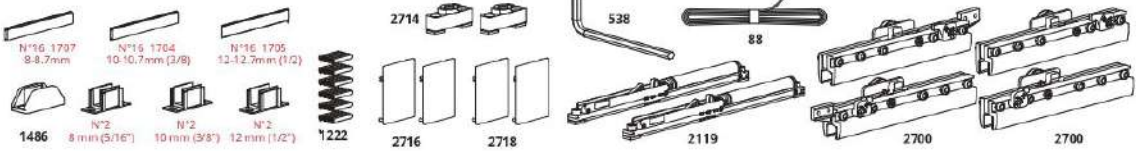
Simultaneous Opening

#	Barcode		KG	
1	2710		50/80	
	2720		50/80	
2	2730		50/80	
3	2716		50/80	
	2718		50/80	
4	2119		50	
5	2061		80	
6	1222		50/80	
7	1707		50/80	For glass 8-8.7 mm (5/16")
	1704		50/80	For glass 10-10.7 mm (3/8")
	1705		50/80	For glass 12-12.7 mm (1/2")

#	Barcode		KG	
8	2700		50	
	2700/2		80	
	2702		50	
	2702/2		80	
9	1486/8		50/80	For glass 8-8.7 mm (5/16")
	1486/10		50/80	For glass 10-10.7 mm (3/8")
	1486/12		50/80	For glass 12-12.7 mm (1/2")
	1488		50/80	For glass 8-8.7 mm (5/16")
	1489/8		50/80	For glass 8-8.7 mm (5/16")
	1489/10		50/80	For glass 10-10.7 mm (3/8")
	1486/12		50/80	For glass 12-12.7 mm (1/2")
10	2714		50/80	
11	88		50/80	

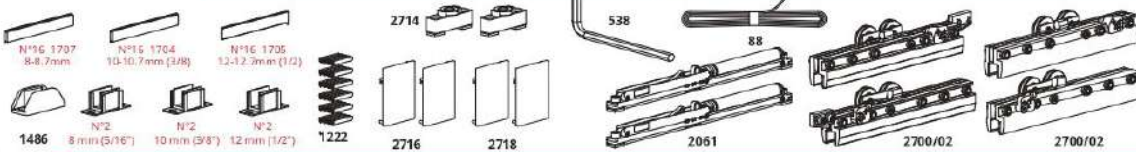
2702/2714/A - 50 Kg.

KIT



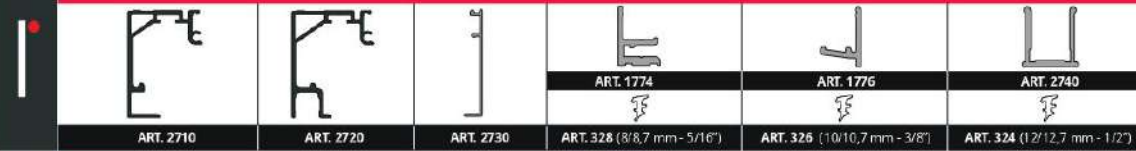
2702/2/2714/A - 80 Kg.

KIT

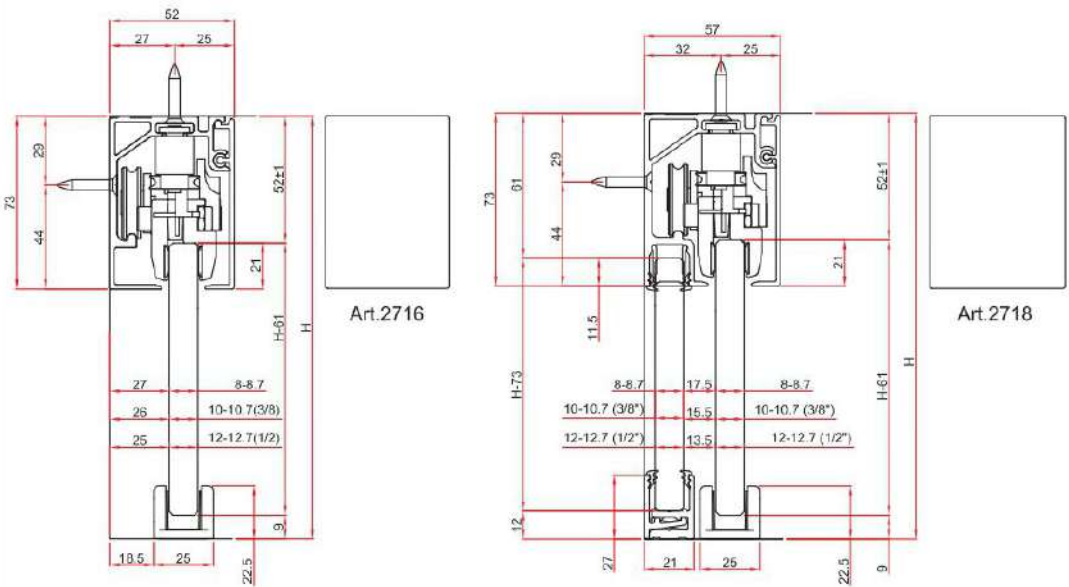


TRACKS

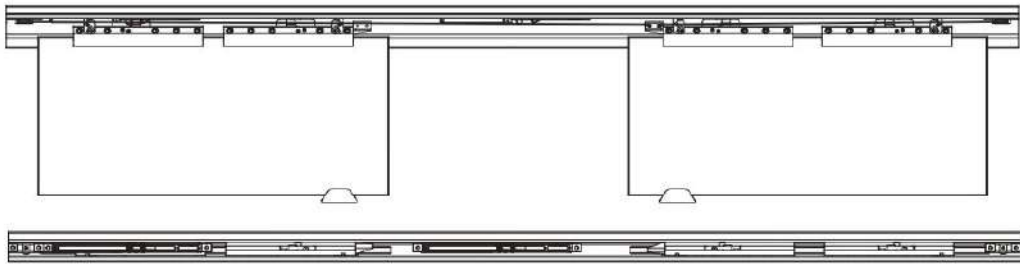
ACCESSORIES



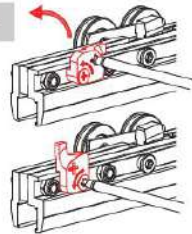
SIZE DESCRIPTION



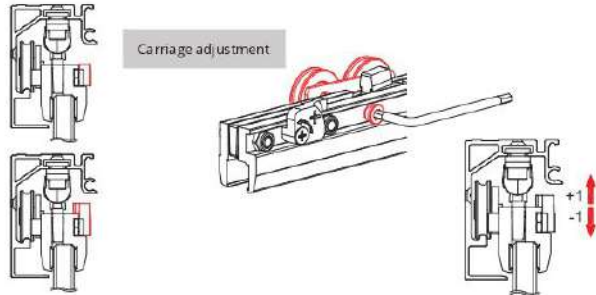
EASY TO MOUNT



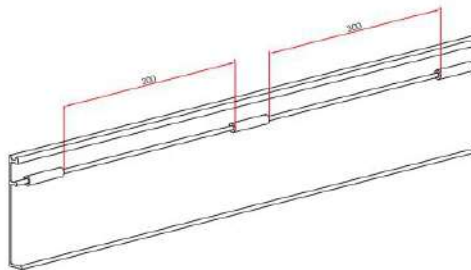
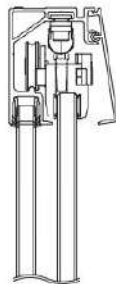
Activation anti-release



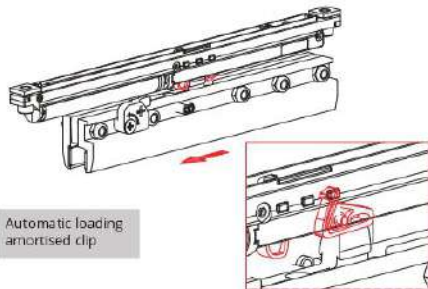
Carriage adjustment



Connection outer rail



Automatic loading amortised clip



Attachment plugs

